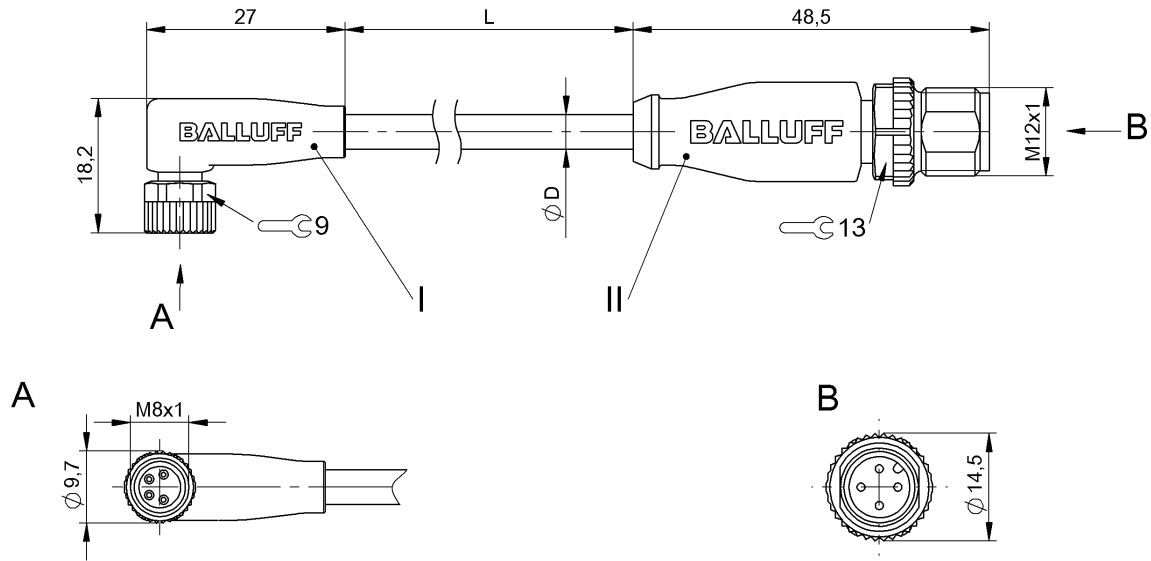


Double-Ended Cordsets

BCC M324-M414-3E-304-PW0434-006-C047

Order Code: BCC0JK3

BALLUFF



Basic features

Application	Welding area
Approval/Conformity	CE WEEE
Base type deviation	C047: Customer specific printing and without label holder

Electrical connection

Bending radius min., fixed cable	5 x D
Bending radius min., flexible cable	10 x D
Cable	PUR welding spark resistant black, 0.6 m, drag chain compatible
Cable diameter D	4.30 mm ±0.10 mm
Cable, bending cycles min.	10 mil.
Cable, torsion stress	±360°/m
Conductor cross-section	0.34 mm ²
Connection 1	M8x1-Female, angled, 4-pin, A-coded
Connection 2	M12x1-Male, straight, 4-pin, A-coded
Number of conductors	4
System	Molded/Molded

Electrical data

Operating voltage Ub	60 VDC / 60 VAC
Rated current (40 °C)	4.0 A

Environmental conditions

Cable temperature UL max., fixed routing	80 °C
Cable temperature UL max., flexible routing	80 °C
Cable temperature, drag chain	-25...60 °C
Cable temperature, fixed routing	-50...90 °C
Cable temperature, flexible routing	-25...90 °C
IP rating	IP67, IP69K/IP67, IP68, IP69K

Interface

Switching output	Complementary
------------------	---------------

Material

Cable jacket material, note	welding spark resistant
Cable jacket, material	PUR
Material contact carrier	PUR/PUR
Material contacts	Bronze/Brass
Material cover nut	Die-cast zinc or nickel plated brass/Die-cast zinc
Material grip	PUR/PUR

Double-Ended Cordsets
BCC M324-M414-3E-304-PW0434-006-C047
Order Code: BCC0JK3



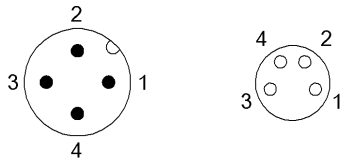
Mechanical data

Acceleration max., drag chain	5 m/s ²	Horizontal travel permitted, drag chain	5 m
Cable jacket, color	black	Tightening torque pigtail	0.4 Nm/0.6 Nm
Cable length L	0.60 m	Traverse speed max., drag chain	200 m/min
Cable properties	drag chain compatible	Vertical travel permitted, drag chain	2 m

Remarks

Cable construction acc. to UL-AWM Style 20549
 Halogen-free per DIN VDE 0472 Part 815
 Silicone-free
 Flame resistance per UL FT2
 Enclosure rating per IEC 60529 or 20653, only in screwed state with the associated mating piece.

Connector Drawings



- | | |
|--------------|--------------|
| II | I |
| PIN 1: brown | PIN 1: brown |
| PIN 2: white | PIN 2: white |
| PIN 3: blue | PIN 3: blue |
| PIN 4: black | PIN 4: black |

Wiring Diagrams

